

AIR AND GAS FLOAT TRAPS FA25.3 (SG iron ; 11/2" and 2" – DN 40 and DN 50)

DESCRIPTION

The ADCA FA25.3 is a series of fully automatic ball float traps specially designed for condensate drainage in compressed air and gas systems.

Typical applications include aftercoolers, separators and compressed air mains.

MAIN FEATURES

Modulating discharge.

Unaffected by sudden or wide load and pressure variations.

Flow direction can be easily changed by repositioning the body in relation to the mechanism and cover.

OPTIONS: Equalizing (vent) and drain connections.
BDV – Blowdown valve.
AFZ – Anti-freeze device.
FLL – Float lifting lever.

USE: Compressed air and other non corrosive gases compatible with the construction.

AVAILABLE MODELS: FA25.3-4,5 , 10 and 14 – SG iron.

SIZES: 11/2" and 2"; DN 40 and DN 50.

CONNECTIONS: Female threaded ISO 7 Rp or NPT.
Flanged EN 1092-2 PN 16.
Flanged ASME B16.42 Class 150.

INSTALLATION: Horizontal or vertical installation.

ΔPMX: FA25.3-4,5 – 4,5 bar
FA25.3-10 – 10 bar
FA25.3-14 – 14 bar



**CE MARKING – GROUP 2
(PED – European Directive)**

PN 16	Category
11/2" and 2" – DN 40 and 50	SEP

BODY LIMITING CONDITIONS

FLANGED PN 16 *	FLANGED CLASS 150 **	RELATED TEMPERATURE
ALLOWABLE PRESSURE	ALLOWABLE PRESSURE	
16 bar	16 bar	100 °C
15,5 bar	14,8 bar	150 °C
14,7 bar	13,9 bar	200 °C
13,9 bar	12,1 bar	250 °C

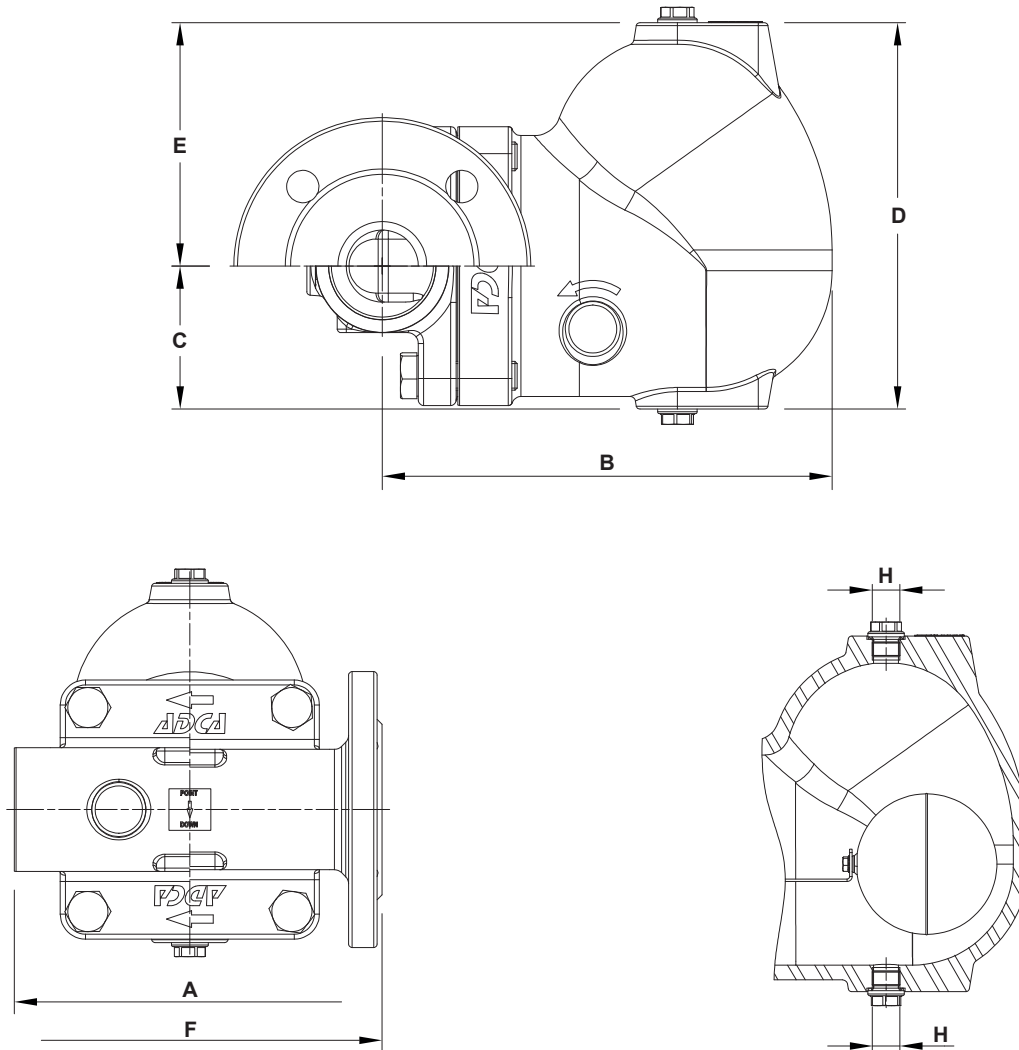
PMO – Maximum operating pressure: 14 bar; TMO – Maximum operating temperature: 250 °C.

Minimum liquid specific weight: 0,75 kg/dm³.

* According to EN 1092-2:2018; ** According to ASME B16.42.

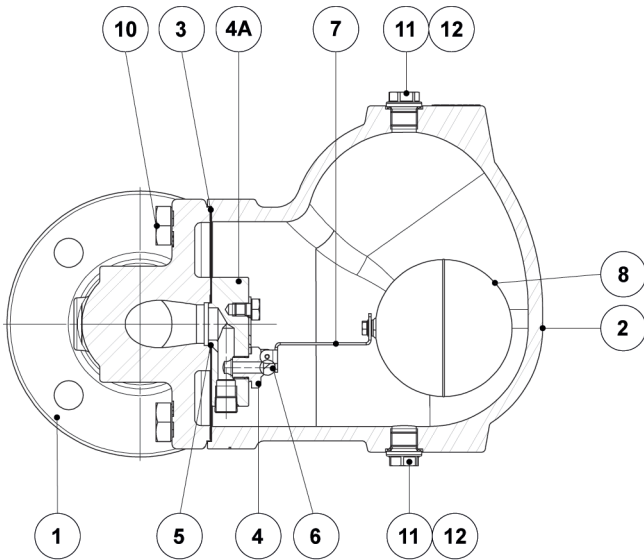
Body limiting conditions PN 16 or below, depending on the type of connection adopted. PN 16 for threaded version.

FLOW RATE CAPACITY (kg/h)										
MODEL	SIZE	DIFFERENTIAL PRESSURE (bar)								
		0,5	1	1,5	2	4,5	7	10	12	14
FA25.3-4,5	1 1/2" and 2" – DN 40 and 50	995	1450	1710	2000	2990	–	–	–	–
FA25.3-10	1 1/2" and 2" – DN 40 and 50	505	720	850	1010	1600	1890	2300	–	–
FA25.3-14	1 1/2" and 2" – DN 40 and 50	370	520	610	735	1150	1430	1620	1750	1980



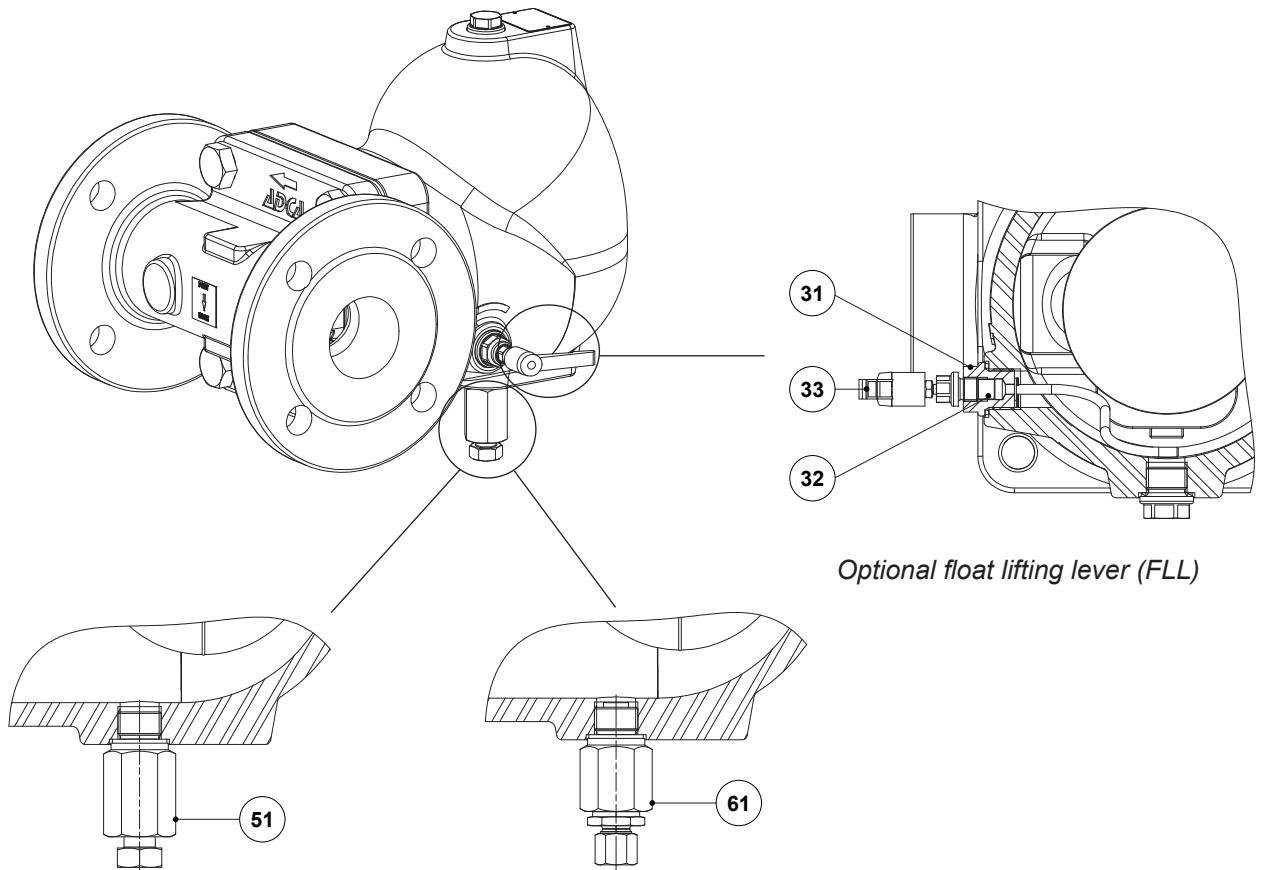
DIMENSIONS (mm)													
SIZE	THREADED							PN 16			CLASS 150		
	A	B	C	D	E	H *	WEIGHT (kg)	F	B	WEIGHT (kg)	F	B	WEIGHT (kg)
1 1/2" – DN 40	210	250	80	215	136	3/8"	18,9	230	250	21,7	230	250	20,2
2" – DN 50	210	250	80	215	136	3/8"	18,2	230	250	23,6	230	250	21,5

* As standard, in versions with EN flanges and female ISO 7 Rp threads, these connections are female threaded ISO 228. In versions with ASME flanges or female NPT threads, these connections are female threaded NPT.



MATERIALS		
POS. N°	DESIGNATION	MATERIAL
1	Body	GJS-400-15 / 0.7040
2	Cover	GJS-400-15 / 0.7040
3	* Gasket	Stainless steel / Graphite
4	* Seat	AISI 410 / 1.4006
4A	Mounting plate	AISI 316 / 1.4401
5	* Gasket	Graphite
6	* Valve ball	AISI 440C / 1.4125
7	* Lever	AISI 304 / 1.4301
8	* Float	AISI 304 / 1.4301
10	Bolt	Zinc plated steel
11	Plug	AISI 316L / 1.4404
12	** Gasket	Copper; AISI 304 / 1.4301
31	Lever mechanism	AISI 303 / 1.4305; AISI 304 / 1.4301; AISI 316L / 1.4404
32	Packing	Graphite
33	Lever	Plastic
51	Blowdown valve	AISI 303 / 1.4305; AISI 316L / 1.4404
61	Anti-freeze device	AISI 303 / 1.4305; AISI 316L / 1.4404

* Available spare parts; ** Not applicable in NPT version.

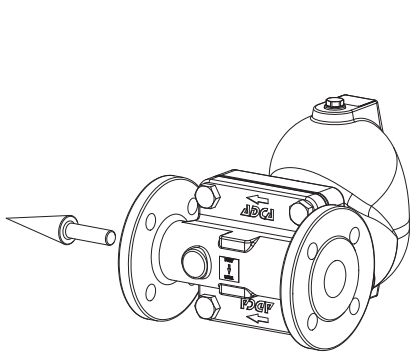


Optional float lifting lever (FLL)

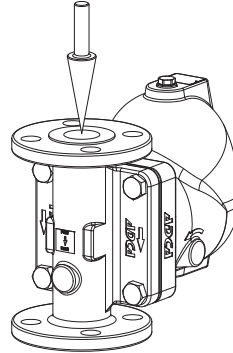
Optional blowdown valve (BDV);
Manual

Optional anti-freeze device (AFZ);
Automatic

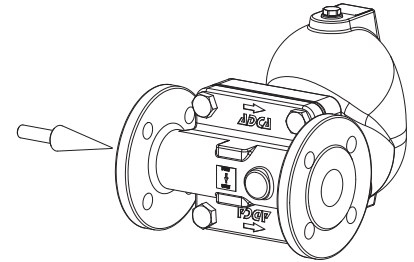
FLOW DIRECTION



R - Horizontal from right to left



V - Vertical from top to bottom



L - Horizontal from left to right

ORDERING CODES FA25.3

Model	FA253	2	M	XX	X	IR	A	40	
FA25.3 – GJS-400-15 / 0.7040 SG iron	FA253								
Maximum allowable differential pressure (ΔPMX)									
4,5 bar		2							
10 bar		3							
14 bar		4							
Valve sealing									
Metal to metal			M						
Cover connections									
None				XX					
3/8" threaded connections on top and bottom, closed with plugs (mandatory if any options are considered)					10				
Options									
BDV and AFZ have specific separated ordering codes, please refer to the appropriate documentation									
FLL - Float lifting lever									
None						X			
Lifting lever on the right side (when facing the steam trap body)							R		
Lifting lever on the left side (when facing the steam trap body)								L	
Flow direction									
Horizontal from right to left – standard								IR	
Horizontal from left to right									IL
Vertical from top to bottom									IT
Pipe connections									
Female threaded ISO 7 Rp									A
Female threaded NPT									C
Flanged EN 1092-2 PN 16									L
Flanged ASME B16.42 Class 150									U
Size									
11/2" or DN 40									40
2" or DN 50									50
Special construction / Additional options									
Full description or additional codes have to be added in case of a non-standard combination									E